

Construction

The flowmeter operating according to the variable area principle has a metering tube in transparent PA or Polysulphone suitable for inert or corrosive* media. Male threads moulded onto the ends of the metering tube allow for easy mounting of unions.

O-ring seals at the faces of the tube ensure reliable sealing between metering tube and union and provide stress-free sealing. The floats are available in PVDF.

The scale on the metering tube can be suited to the medium and is available e.g. in l/h, m³/h or %. Dovetail sections moulded onto the metering tube allow for easy mounting of adjustable visual flow indicators, limit switches and a continuous readout transmitter.

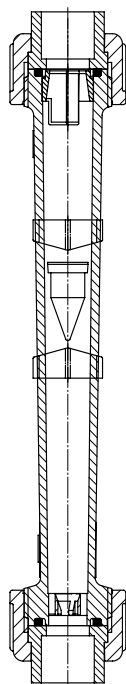
Advantages

- Good level of accuracy, simple operation
- Corrosion resistant
- Standard and special scales are available with further scales on request
- Clear and large size printed scale
- Versions according to ATEX available on request

* see information on working medium on page 2



Sectional drawing



Technical data

Working medium

Inert liquid media which have no negative impact on the physical and chemical properties of the metering tube, float, seal and union materials.

Operating pressure*

Metering tubes with plastic unions max. 10 bar

*Operating pressure dependent on tube material and operating temperature

Pressure / temperature correlation - variable area flowmeter

Temperature in °C		-20	-10	±0	5	10	20	25	30	40	50	60	70	80	90	100	110	120	
Tube material	Union material	Code	Operating pressure [bar]																
PVDF	PVDF	20	10	10	10	10	10	10	10	9.0	8	7.1	6.3	5.4	4.7	3.6	2.5	1.7	1.2

Pressure loss [mbar]

Type	Nominal size		
	15	20	25
	873, 883	6	8

Accuracy class: 4 acc. to VDE/VDI 3513, sheet 2, i.e. ± 1% of end value and ± 3% of measured value.

Selection of scales *

Typ	DN	Water [l/h]	Tube size (Code)	Measuring range max. (Code)	Weight [kg]
GEMÜ 873 ohne Magnet GEMÜ 883 mit Magnet	15	20 - 250	24	250	0,16
	20	75 - 675	34	675	0,28
	25	100 - 1000	44	1000	0,37

* All scales in this datasheet are based on a medium temperature of 20° C.

Order data

Version	
Float material	Type
PVDF, white	873
PVDF, white (with magnet)	883

Body configuration	Code
2/2-way body	D

Connection	Code
Union ends with DIN insert (IR butt welding)	78

Tube material	Code
PVDF	20

Seal material	Code
O-ring FPM	4

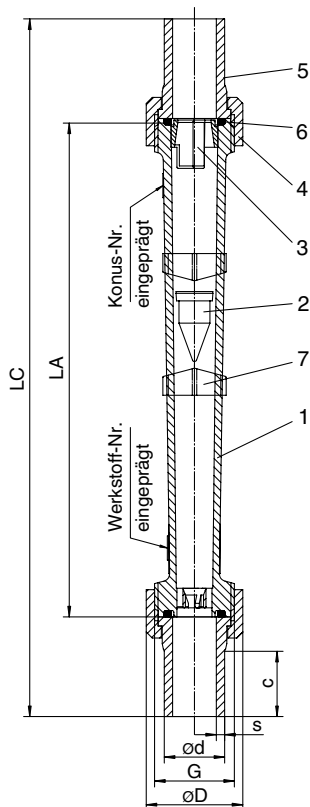
Union material	Code
Insert PVDF, union nut PVDF	20

Tube size	Code
See table page 2	

Measuring range	Code
See table page 2	
Always state the maximum measuring range value when ordering.	

Order example	873	25	D	78	20	4	20	44	1000
Version (type)	873								
Nominal size (code)		25							
Body configuration (code)			D						
Connection (code)				78					
Tube material (code)					20				
Seal material (code)						4			
Union material (code)							20		
Tube size (code)								44	
Measuring range max. (code)									1000

Dimensions [mm]



GEMÜ 873, 883

DN	LA	O-ring	øD	ød	s	c	LC
15	167	20.2 x 3.5	43	20	1.9	37	276
20	182	28.0 x 3.5	53	25	1.9	39	297
25	197	33.0 x 3.5	59	32	2.4	40	318

Designation

Item	Designation	Pieces
1	Metering tube	1
2	Float	1
3	Upper float stop	1
4	Union nut	2
5	Union	2
6	O-ring	2
7	Flow indicator	2
8	Lower float stop	1

For further high purity products, accessories and other products, please see our Product Range catalogue and Price List.
Contact GEMÜ.