

Construction

The GEMÜ 4231 is a travel sensor for detecting the position of quarter turn actuators with a travel range of 90°. It is a potentiometer with a passive resistance element (support material and a resistance track of conductive plastic) and a passive wiper. It serves as a position sensor for the intelligent GEMÜ 1435 ePos and GEMÜ 1436 cPos valve positioners.

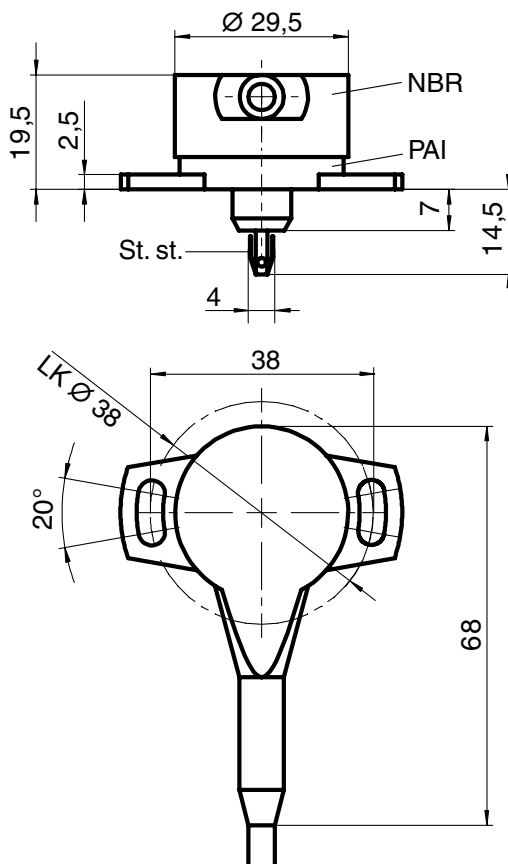
Features

- Proven design
- Can also be used in areas subject to explosion hazards via external safety barriers
- Longlife travel sensor

Advantages

- Simple mounting to all kinds of quarter turn actuators
- Can also be adapted to actuators by other manufacturers

Materials and dimensions GEMÜ 4231 [mm]



Technical data

General information

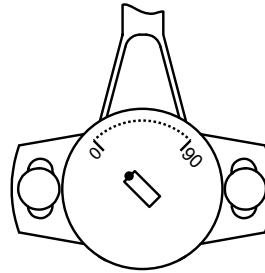
Protection class to EN 60529	IP 65
Dimensions L x W x H	see page 1
Mounting position	optional

Operating conditions

Temperature range	-25 ... +85 °C
Service life (cycles)	50 x 10 ⁶

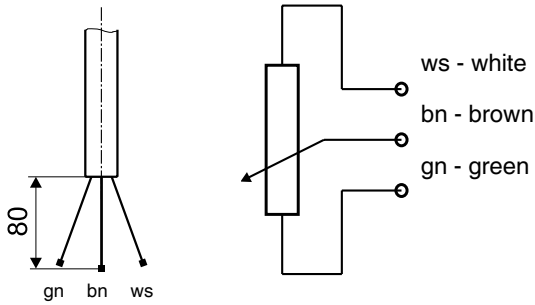
Electrical data

Mechanical travel	360° continuous
Defined electrical travel	0-93°
Nominal resistance	3 kΩ
Max. permissible supply voltage	42 V

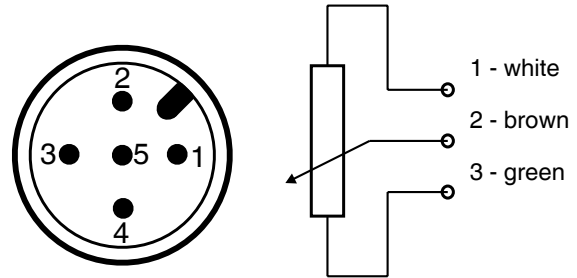


Electrical connection

Version with open wires (Code 0000)



Version with M12 cable plug (Code 4001)



Order data

Field bus	Code
Without	000

Cable connection	Code
M12 cable plug, A-coded, straight, 5-pin, plastic	4001
Open wires with multicore cable ends	0000

Housing material	Code
PAI (polyamideimide)	XF

Special function	Code
ATEX	X

Travel	Code
Potentiometer, 90°	090

Cable length	Code
Length 2.0 m	02M0
Length 5.0 m	05M0
Others on request	

Order example	4231	000	Z	XF	090	05M0	4001	-
Type	4231							
Field bus (code)		000						
Accessory			Z					
Housing material (code)				XF				
Travel (code)					090			
Cable length (code)						05M0		
Cable connection (code)							4001	
Special function (code)								-

Note: Mounting kit 4231 S01 Z... (distance piece, mounting bracket) dependent on valve type.
Please order separately with specification of valve type, DN and control function.