

Construction

The GEMÜ 1232 electrical position indicator is suitable for linear valves with actuator strokes up to 20 mm (actuating travel). It has a corrosion resistant plastic housing and one or two inductive proximity switches. Switching rod and actuating spindle have a positive connection without axial play. The electrical connection is via cable gland.

Features

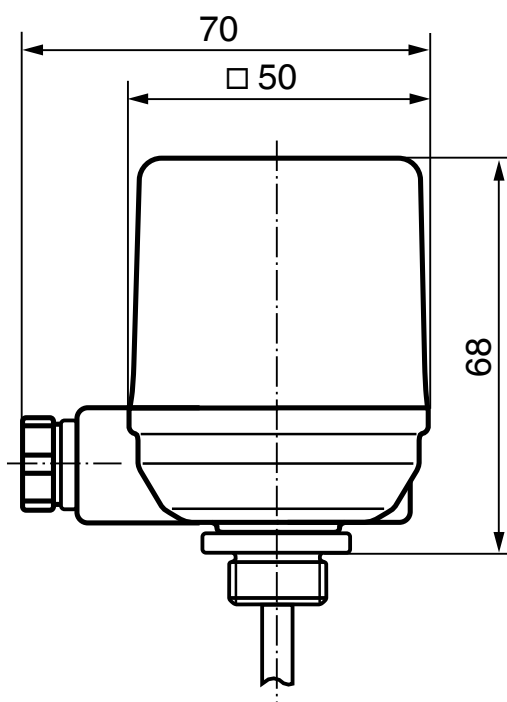
- Both proximity switches can be continuously and precisely adjusted, independently of each other, via threaded spindles
- Device can be rotated through 360°
- Customer-specified connectors available as an option
- UL approval available as an option

Advantages

- Simple mounting and retrofitting to GEMÜ linear actuators
- Mounting to other valve makes possible
- Compact design in a stable housing
- The switches are not subject to wear, contactless detection
- Protection class IP 65 to EN 60529



Dimensions - GEMÜ 1232 [mm]



Technical data

Operating conditions

Setting range of limit switch	2 - 20 mm continuous
Ambient temperature	-20° ... +60°C
Protection class	IP 65 EN 60529

Electrical connection

M 16 cable gland	1 x available
Cable diameter	4.5 ... 7 mm
Recommended cross section of wire	0.75 mm ²

Materials

Housing cover, Polysulfone	PSU
Housing base, Polypropylene 30% GF	PP
Operating spindle	1.4104
Operating spindle	1.4104
Damping piece	1.4104

Approvals

UL, UR (recognized)	UL 508
CSA, C22.2	No. 14-M91
For details see www.ul.com	

Switch

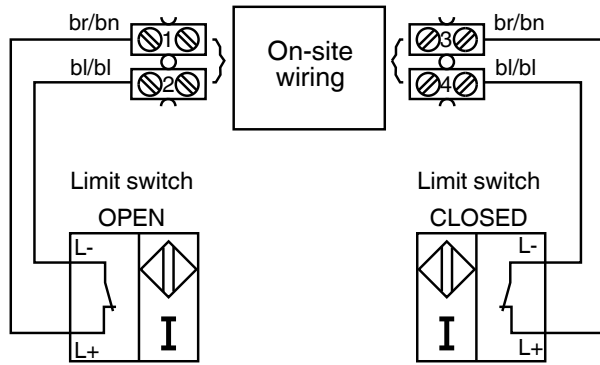
3-wire proximity switch PNP (code 305)				2-wire NAMUR (code 207)	
	Standard	UL Approval	Option with LED		Standard
Rated voltage U _B	24 V DC	24 V DC	24 V DC	Rated voltage	8 V Namur
Intrinsic current consumption, damped	≤ 40 mA	≤ 40 mA	≤ 80 mA	Rated current, damped	< 1 mA
Intrinsic current consumption, undamped	≤ 24 mA	≤ 24 mA	≤ 44 mA	Rated current, undamped	≥ 3 mA
Max. switching frequency	1 kHz	1 kHz	1 kHz	Max. switching frequency	1 kHz
Operating voltage	10 - 30 V DC	10 - 30 V DC	10 - 30 V DC	-	-
On-load current	200 mA	200 mA	180 mA	-	-
Voltage drop	≤ 2.5 V	≤ 2.5 V	≤ 2.5 V	-	-

Availability table

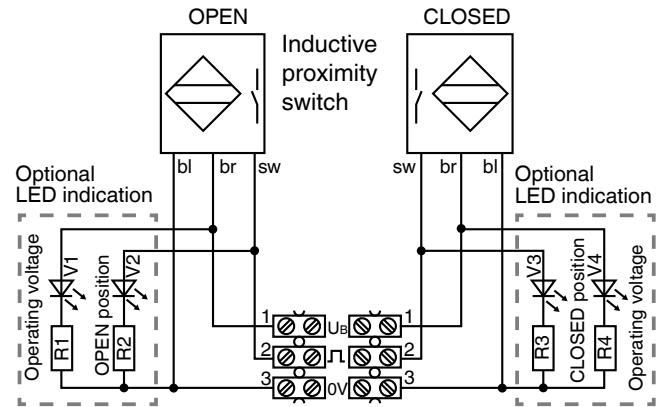
	Function	Switch	Electrical connection	Connection diagram
NAMUR	OPEN/CLOSED (Code A00) OPEN (Code A01) CLOSED (Code A02)	2-wire NAMUR (Code 207)	M16 cable gland (Code 1101)	Code 202
			M16 Skintop-Verschraubung (Code 1103)	
Standard (without LED display)	OPEN/CLOSED - PNP (Code A30) OPEN - PNP (Code A31) CLOSED - PNP (Code A32)	3-wire proximity switch PNP (Code 305)	M16 cable gland (Code 1101)	Code 303
			M16 Skintop cable gland (Code 1103)	
			M12 plug, 4-polig (Code 1110)	Code 304
With LED display	OPEN/CLOSED - PNP (Code A10) OPEN - PNP (Code A11) CLOSED - PNP (Code A12)	3-wire proximity switch PNP (Code 305)	M16 cable gland (Code 1101)	Code 303
			M16 Skintop cable gland (Code 1103)	
			M12 plug, 4-polig (Code 1110)	Code 304
UL approval	OPEN/CLOSED - PNP with LED display (Code A10) OPEN - PNP with LED display (Code A11) CLOSED - PNP with LED display (Code A12) OPEN/CLOSED - PNP (Code A30)	3-wire proximity switch PNP (Code 305)	M16 cable gland (Code 1101)	Code 303

Connection diagrams

Terminals, NAMUR
(Code 202)

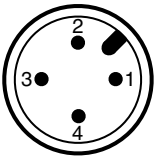


Terminals, PNP
(Code 303)



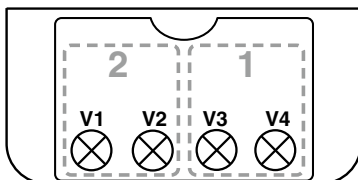
U_b = Operating voltage / \square L = Signal output / 0V = GND, 0V

M12 plug, 4-pin; PNP
(Code 304)



PIN	Standard, Option with LED*
1	L+, supply voltage ($U_b = 10 - 30$ V DC)
2	Us, signal end position CLOSED
3	L-, supply voltage ($U_b = 10 - 30$ V DC)
4	Us, signal end position OPEN

* LED display assignment



1 - not available for function Code A11

2 - not available for function Code A12

LED	Assignment	Limit switch	LED colour
V1	Operating voltage	OPEN	Yellow
V2	OPEN position	OPEN	Green
V3	CLOSED position	CLOSED	Red
V4	Operating voltage	CLOSED	Yellow

Order data

Field bus	Code
Without	000

Electrical connection	Code
M16 cable gland	1101
M16 Skintop cable gland	1103
M12 plug, 4-pin	1110

Function	Code
OPEN/CLOSED NAMUR	A00
OPEN NAMUR	A01
CLOSED NAMUR	A02
OPEN/CLOSED PNP with LED	A10
OPEN PNP with LED	A11
CLOSED PNP with LED	A12
OPEN/CLOSED PNP	A30
OPEN PNP	A31
CLOSED PNP	A32

Connection diagram	Code
Terminals, NAMUR	202
Terminals, PNP	303
M12 plug, 4-pin; PNP	304

Approval	Code
without	-
UL approval (not for all versions)	U

Switch	Code
2-wire NAMUR	207
3-wire proximity switch PNP	305
Other switches on request	

Order example	1232	000	Z	A30	305	1101	303	-
Type	1232							
Field bus (code)		000						
Accessory			Z					
Function (code)				A30				
Switch (code)					305			
Electrical connection (code)						1101		
Connection diagram (code)							303	
Approval (Code)								-

Please order mounting kit 1232 S01Z... (spindle + mounting parts) separately with reference to the particular valve type.

When ordering please specify the complete valve type key, e. g. type 1232 0 Z A30 305 1101 303 for mounting to GEMÜ valve 690/20 D 0114-1

For possible combinations see availability table in Technical data.

Technical data sheet

Should there be any doubts or misunderstandings, the German version of this data sheet is the authoritative document!

Subject to alteration · 08/2015 · 88048782